

MF/HF DSC/Watch Receiver Model DSC-60

- Fully meets GMDSS carriage requirements
- Distress, safety and routine communications
- Scanning of DSC frequencies for distress and general calls on MF/HF
- Excellent readability of a volume message by 160-character LCD display
- File editing capability for readiness in case of emergency
- Automatic entry of own ship position with manual override
- PSTN (Public Switched Telephone Network) capability standard
- Optional built-in receiver board for DSC ship business/routine frequencies is available



The FURUNO DSC-60 is a Class A MF/HF Digital Selective Calling (DSC) system with built-in DSC Watch Receiver designed to fully meet the GMDSS carriage requirements. It complies with new IMO Resolutions A.804 and A.806 as amended by MSC.68(68) and relevant IEC and ETSI testing standards, and ITU Recommendations. The DSC system is one essential element of the GMDSS, enhancing vessel navigation safety with its automated digital communications capabilities.

Connected with an associated MF/HF transceiver, the DSC-60 terminal generates and receives digital selective calls for quick and efficient establishment of distress, urgency, safety and routine communications with other ships and coast stations that install MF/HF DSC facilities. The DSC-60 automatically controls the working frequencies for radio communications and Telex. Class of

emission and other parameters are also controlled according to the telecommand in an incoming call.

In an emergency, the DSC-60 transmits distress alert via the MF/HF radiotelephone by simply pressing the [DISTRESS] button. For monitoring of distress alarm, the DSC-60 incorporates a DSC Watch Receiver which provides continuous scanning of the six distress frequencies (see spec). On A2 vessels, only 2187.5 kHz is monitored.

The DSC-60 can also be used as a remote controller of FURUNO MF/HF radiotelephone or other make which accepts FSI (Frequency Set Information) sentence in IEC 61162-1 digital interface standards.

For upgrading of routine communications, a built-in receiver board to scan and receive DSC ship business/routine frequencies (1.6 MHz to 27.5 MHz) is available as an option.

SPECIFICATIONS OF DSC-60

GENERAL CHARACTERISTICS

1. Rules and Regulations

ITU-R Rec. 493-9 (Class A), 541-8, 1082-1
IEC 61097-3, IEC 61097-8, IEC 61162-1, IEC 60945
IMO Res. A.804(19), A.806(19) and MSC.68(68) amendment,
EN 300 338

2. Distress Call and Message

Distress Call and Message (RR 3112: Format specifier (distress), Self-ID, Nature of distress, Distress coordinates, Time, Telecommand, EOS, ECC)

3. Class of Emission

DSC: F1B/J2B (J2B MF/HF transceiver)
Voice: J3E
TTY: F1B/J2B (J2B MF/HF transceiver)

4. Receiving Frequencies

MF/HF DSC: 2187.5, 4207.5, 6312, 8414.5, 12577, 16804.5 kHz
1.6 to 27.5 MHz (Optional receiver)

5. Message Storage

Receive: 50 distress messages max. plus 50 non-distress messages
Transmit: 50 messages plus 99 files containing station ID, Telephone No., Frequency, etc.

6. Interface

IEC 61162-1

7. Alarms

Audible and visual on receipt of distress, urgency or routine calls, Position error

8. Display

20 characters x 8 lines

9. Modulator and Demodulator

Level: -12 dBm to +12 dBm at 600 ohms, balanced
Frequency: Mark 1615 Hz, Space 1785 Hz, 100 baud
Stability: ±0.5 Hz

Watch receiver

Receive Frequencies: 2187.5, 4207.5, 6312, 8414.5, 12577, 16804.5 kHz

Sensitivity: Error rate 1% at 0 dBμV

POWER SUPPLY

24 VDC

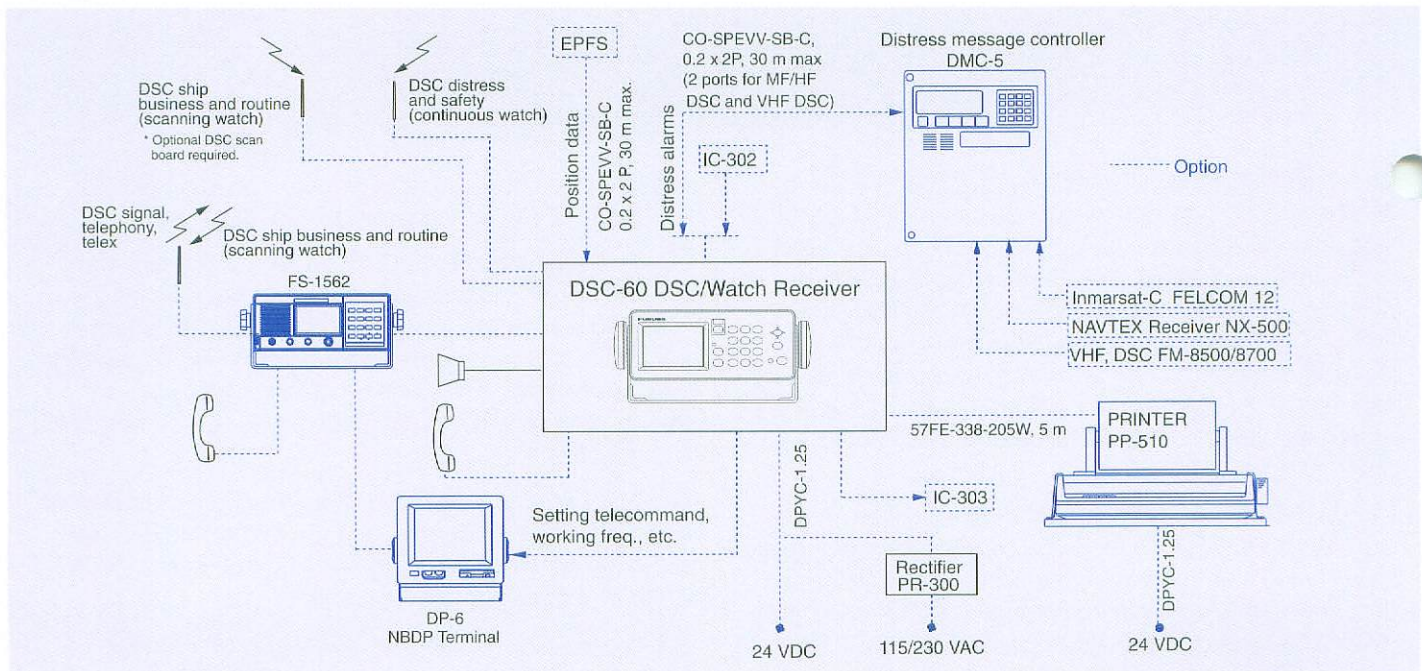
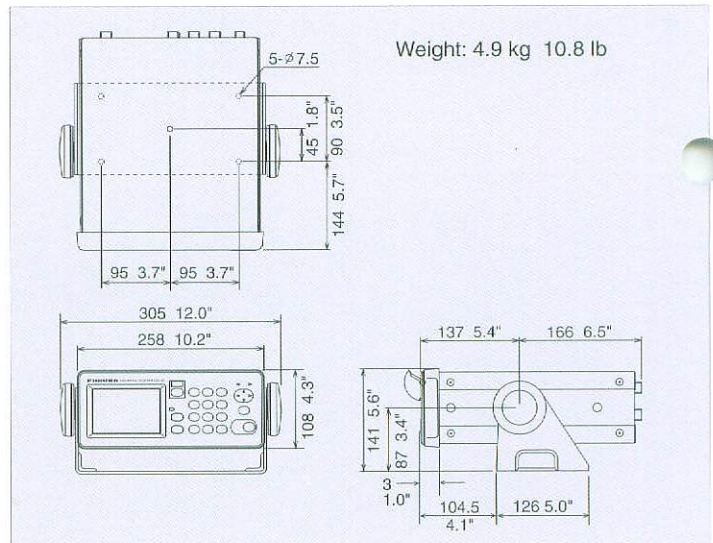
EQUIPMENT LIST

Standard

1. DSC terminal/DSC watch receiver
2. Installation materials and spare parts
3. External loudspeaker MX9010-X01

Optional

1. Rectifier PR-300
2. Printer PP-510
3. Distress alert button IC-302
4. Incoming indicator IC-303
5. Handset HSC701K-B20
6. 1.6-30 MHz DSC scan board



SPECIFICATIONS SUBJECT TO CHANGE WITHOUT NOTICE

FURUNO U.S.A., INC.

Camas, Washington, U.S.A.
Phone: +1 360-834-9300 Telefax: +1 360-834-9400

FURUNO (UK) LIMITED

Denmead, Hampshire, U.K.
Phone: +44 2392-230303 Telefax: +44 2392-230101

FURUNO FRANCE S.A.

Bordeaux-Mérignac, France
Phone: +33 5 56 13 48 00 Telefax: +33 5 56 13 48 01

FURUNO ESPANA S.A.

Madrid, Spain
Phone: +34 91-725-90-88 Telefax: +34 91-725-98-97

FURUNO DANMARK AS

Hvidovre, Denmark
Phone: +45 36 77 45 00 Telefax: +45 36 77 45 01

FURUNO NORGE A/S

Alesund, Norway
Phone: +47 70 102950 Telefax: +47 70 127021

FURUNO SVERIGE AB

Västra Frölunda, Sweden
Phone: +46 31-7098940 Telefax: +46 31-497093

FURUNO SUOMI OY

Helsinki, Finland
Phone: +358 9 341 7570 Telefax: +358 9 3417 5716

01085N Printed in Japan